

MEDGAL-HIP



HIP JOINT ENDOPROSTHESIS

CONTENTS

Introduction **2**



MEDGAL^{HP} Stems **3**



MEDGAL^{HP} Acetabular cup **4**



MEDGAL^{HP} Cup liners **5**



MEDGAL^{HP} Heads **6**



MEDGAL-HIP Endoprosthesis

INTENDED TO USE

Endoprosthesis can be used in the following cases:

- ✓ degenerative changes or serious ailments in the course of hip rheumatoid disease,
- ✓ extensive hip damage that significantly reduces the efficiency of the musculoskeletal system,
- ✓ joint post-traumatic changes,
- ✓ femoral head necrosis,
- ✓ non-promising union of a hip fracture.

CONTRAINDICATIONS

- x infection of a joint or joint area,
- x bone defect that prevents the primary stability of the joint stem as a result of alloplasty,
- x patient's allergic reactions to the implant's alloying components,
- x body infection,
- x cardiovascular disease,
- x anticipated overload of the hip endoprosthesis (e.g. overweight or excessive physical activity of the patient),
- x patients unable or willing to cooperate during treatment,
- x limited patient's ability to understand doctor's recommendations and not to follow them in the postoperative period.

PRE-OPERATIONAL RECOMMENDATIONS

- ➔ The treatment should be carefully planned.
- ➔ The size of the endoprosthesis (stem and head) must be carefully selected for the anatomical structure of the hip, based on X-Ray tests using appropriate MEDGAL templates.
- ➔ In the pre-operative period, any existing infectious outbreaks in the body should be eradicated.
- ➔ The physician should carry out allergy tests of the patient's body on the components of the implants.
- ➔ The use of an endoprosthesis is not allowed if allergy tests show positive reactions
- ➔ Please read the instructions for using the instruments and follow the recommendations contained therein. The physician is responsible for choosing the appropriate surgical technique for a particular clinical case.
- ➔ Before the procedure, the doctor should make sure that:
 - ➔ all implants to be implanted in the operating room,
 - ➔ surgical instruments / tools are completed and functional.

PRE-OPERATIVE PLANNING

Preoperative planning is key stage to determining the appropriate stem size and bipolar head offset prior to alloplasty.

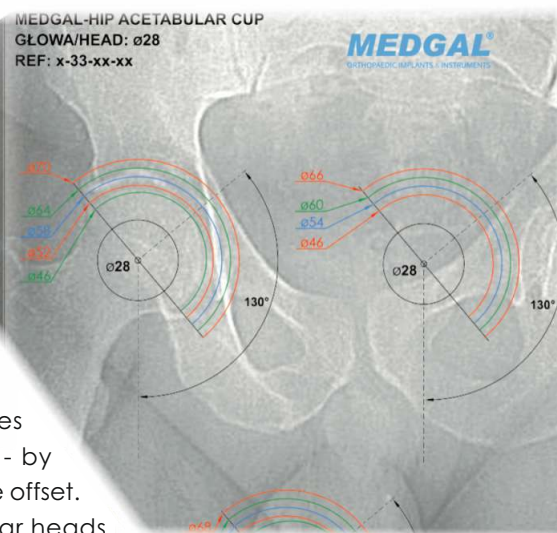
The template should define the resection area necessary to restore the anatomical center of rotation in the hip joint. The selection of the height and angle of the femoral head resection defines the length and angle of the head neck and the correct bipolar head offset.

Necessary to carry out pre-operative planning are:

- o x-ray machine;
- o templates containing the
- o contours of the stems, femoral heads and shell heads in various sizes;

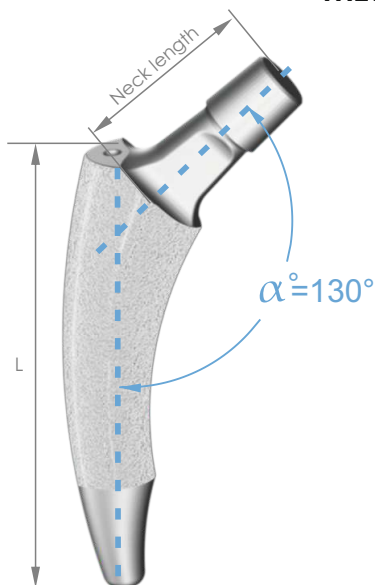
The femur should be placed in the neutral rotation position so that its orientation on the x-ray image corresponds to the template plane. The developed x-ray scan should have sufficient femoral stem length to determine the stem length. An adequate stem size should be selected by applying the template to an X-ray scan and finding the optimal implant adaptation to anatomical structures - neck angle and stem length. The center of rotation of the femoral head determines which head to choose - by selecting the appropriate offset. The template with bipolar heads

allows you to adjust the head to the patient's natural acetabulum. The coverage line is specified on each of the templates.



MEDGAL[®]HIP Stems

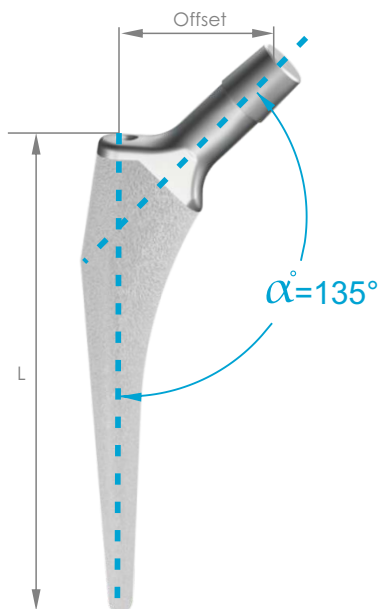
METHAFIT Femoral Neck Stem



Neck length	Length L (mm)	REF No.	
		Titanium alloy+Ti+HAp alloy	Titanium alloy+Ti+Si-DLC alloy
29	79,3	41-38-01-01	61-38-01-01*
30	83,7	41-38-01-02	61-38-01-02*
31,5	88,5	41-38-01-03	61-38-01-03*
32,5	92,6	41-38-01-04	61-38-01-04*
33,5	97,1	41-38-01-05	61-38-01-05*
34,5	101,7	41-38-01-06	61-38-01-06*
35,5	106,3	41-38-01-07	61-38-01-07*
36,5	110,8	41-38-01-08	61-38-01-08*
37,5	115,5	41-38-01-09	61-38-01-09*
38,5	118,9	41-38-01-10	61-38-01-10*
40	121,4	41-38-01-11	61-38-01-11*
41,5	124,9	41-38-01-12	61-38-01-12*

*available on request

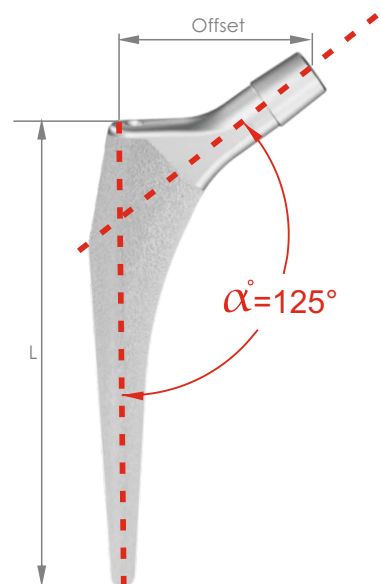
STANDARD Stem



ST 135

Offset (mm)	Length L (mm)	REF No.		
		Titanium alloy+Ti+HAp	Titanium alloy+Ti+Si-DLC	Titanium alloy
37,4	128	-	-	1-35-07-01*
37,8	130	41-35-07-01	61-35-07-01*	1-35-07-02*
38,3	133	41-35-07-02	61-35-07-02*	1-35-07-03*
39,0	136	41-35-07-03	61-35-07-03*	1-35-07-04*
39,5	139	41-35-07-04	61-35-07-04*	1-35-07-05*
40,0	143	41-35-07-05	61-35-07-05*	1-35-07-06*
40,7	146	41-35-07-06	61-35-07-06*	1-35-07-07*
41,2	150	41-35-07-07	61-35-07-07*	1-35-07-08*
41,8	155	41-35-07-08	61-35-07-08*	1-35-07-09*
42,5	160	41-35-07-09	61-35-07-09*	1-35-07-10*
43,2	165	41-35-07-10	61-35-07-10*	1-35-07-11*
43,9	170	41-35-07-11	61-35-07-11*	-

*available on request



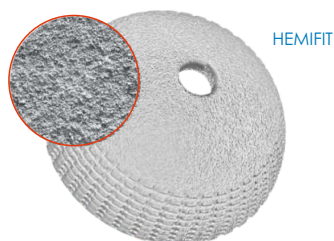
CV 125

Offset (mm)	Length L (mm)	REF No.		
		Titanium alloy+Ti+HAp	Titanium alloy+Ti+Si-DLC	Titanium alloy
43,1	128	-	-	1-35-08-01*
43,5	130	41-35-08-01	61-35-08-01*	1-35-08-02*
44,0	133	41-35-08-02	61-35-08-02*	1-35-08-03*
44,7	136	41-35-08-03	61-35-08-03*	1-35-08-04*
45,2	139	41-35-08-04	61-35-08-04*	1-35-08-05*
45,7	143	41-35-08-05	61-35-08-05*	1-35-08-06*
46,4	146	41-35-08-06	61-35-08-06*	1-35-08-07*
46,9	150	41-35-08-07	61-35-08-07*	1-35-08-08*
47,5	155	41-35-08-08	61-35-08-08*	1-35-08-09*
48,2	160	41-35-08-09	61-35-08-09*	1-35-08-10*
48,9	165	41-35-08-10	61-35-08-10*	1-35-08-11*
49,6	170	41-35-08-11	61-35-08-11*	-

*available on request

MEDGAL^{HP} Acetabular cup

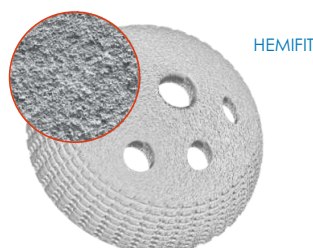
Cementless acetabular cup



Diameter Ø (mm)	REF No.	
	HEMIFIT (Ti+HAp)	HEMIFIT (Ti+SiDLC)
42	41-33-03-42*	61-33-03-42*
44	41-33-03-44*	61-33-03-44*
46	41-33-03-46*	61-33-03-46*
48	41-33-03-48*	61-33-03-48*
50	41-33-03-50*	61-33-03-50*
52	41-33-03-52*	61-33-03-52*
54	41-33-03-54*	61-33-03-54*
56	41-33-03-56*	61-33-03-56*
58	41-33-03-58*	61-33-03-58*
60	41-33-03-60*	61-33-03-60*
62	41-33-03-62*	61-33-03-62*
64	41-33-03-64*	61-33-03-64*
66	41-33-03-66*	61-33-03-66*
68	41-33-03-68*	61-33-03-68*
70	41-33-03-70*	61-33-03-70*

*available on request

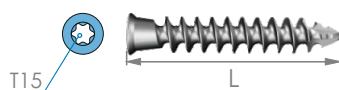
Cementless acetabular cup - 3 holes



Diameter Ø (mm)	REF No.	
	HEMIFIT (Ti+HAp)	HEMIFIT (Ti+SiDLC)
42	41-33-04-42*	61-33-04-42*
44	41-33-04-44	61-33-04-44*
46	41-33-04-46	61-33-04-46*
48	41-33-04-48	61-33-04-48*
50	41-33-04-50	61-33-04-50*
52	41-33-04-52	61-33-04-52*
54	41-33-04-54	61-33-04-54*
56	41-33-04-56	61-33-04-56*
58	41-33-04-58	61-33-04-58*
60	41-33-04-60	61-33-04-60*
62	41-33-04-62	61-33-04-62*
64	41-33-04-64	61-33-04-64*
66	41-33-04-66	61-33-04-66*
68	41-33-04-68	61-33-04-68*
70	41-33-04-70	61-33-04-70*

*available on request

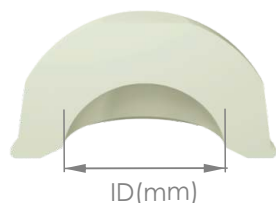
Acetabular screw



L(mm)	REF No.	
	Titanium alloy	Titanium alloy + Si-DLC
15-80 (every 5mm)	1-01-356-L	21-01-356-L

MEDGAL^{HP} Cup liners

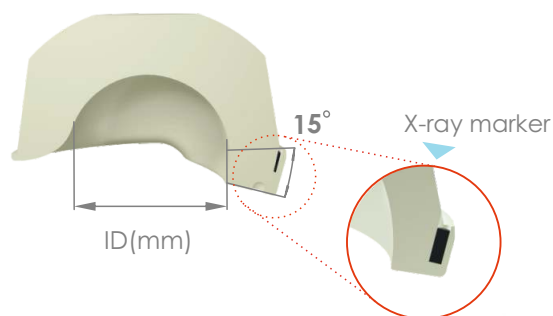
Cup Liner
(UHMWPE with vitamin E)



ID=28	REF No.		Acetabular shell size
	ID=32	ID=36	
9-33-08-28.34*	-	-	40,42
9-33-08-28.36	-	-	44
9-33-08-28.37	-	-	46
9-33-08-28.38	9-33-08-32.38	-	48
9-33-08-28.40*	9-33-08-32.40	-	50
9-33-08-28.42*	9-33-08-32.42	9-33-08-36.42	52
9-33-08-28.44*	9-33-08-32.44*	9-33-08-36.44	54
9-33-08-28.46*	9-33-08-32.46*	9-33-08-36.46	56, 58
9-33-08-28.50*	9-33-08-32.50*	9-33-08-36.50	60, 62
9-33-08-28.54*	9-33-08-32.54*	9-33-08-36.54	64, 66, 68, 70

*available on request

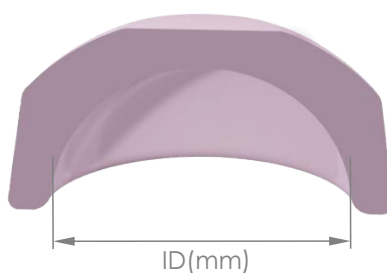
Lipped cup liner
(UHMWPE with vitamin E)



ID=28	REF No.		Acetabular shell size
	ID=32	ID=36	
9-33-09-28.34*	-	-	40,42
9-33-09-28.36	-	-	44
9-33-09-28.37	-	-	46
9-33-09-28.38	9-33-09-32.38	-	48
9-33-09-28.40*	9-33-09-32.40	-	50
9-33-09-28.42*	9-33-09-32.42	9-33-09-36.42	52
9-33-09-28.44*	9-33-09-32.44*	9-33-09-36.44	54
9-33-09-28.46*	9-33-09-32.46*	9-33-09-36.46	56, 58
9-33-09-28.50*	9-33-09-32.50*	9-33-09-36.50	60, 62
9-33-09-28.54*	9-33-09-32.54*	9-33-09-36.54	64, 66, 68, 70

*available on request

Ceramic Cup Liner - BioloX® delta



ID=28	REF No.		Acetabular shell size
	ID=32	ID=36	
156-33-07-28.36*	-	-	44,46
156-33-07-28.38*	-	-	48
156-33-07-28.40*	156-33-07-32.40*	-	50
-	156-33-07-32.42*	-	52
-	156-33-07-32.44*	156-33-07-36.44*	54
-	156-33-07-32.46*	156-33-07-36.46*	56, 58
-	156-33-07-32.50*	156-33-07-36.50*	60, 62
-	-	156-33-07-36.54*	64, 66, 68, 70

*available on request

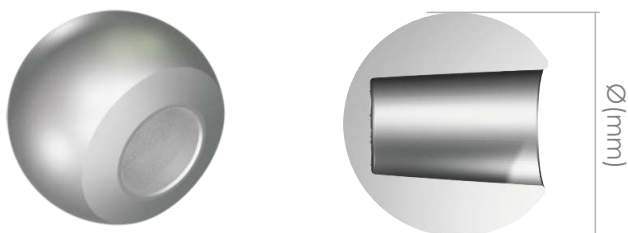
MEDGAL^{HP} Heads

Ceramic Femoral Head - BioloX® delta



Size	REF No.		
	Ø=28	Ø=32	Ø=36
S	156-33-06-28.S	156-33-06-32.S	156-33-06-36.S
M	156-33-06-28.M	156-33-06-32.M	156-33-06-36.M
L	156-33-06-28.L	156-33-06-32.L	156-33-06-36.L
XL	-	156-33-06-32.XL	156-33-06-36.XL

Femoral Head (CoCrMo)



Size	Offset	REF No.		
		Ø=28	Ø=32	Ø=36
S	-3,5	103-33-10-28.S	103-33-10-32.S	103-33-10-36.S
M	0	103-33-10-28.M	103-33-10-32.M	103-33-10-36.M
L	3,5	103-33-10-28.L	103-33-10-32.L	103-33-10-36.L
XL	7	103-33-10-28.XL	103-33-10-32.XL	103-33-10-36.XL
XXL	10,5	103-33-10-28.XXL	103-33-10-32.XXL	103-33-10-36.XXL

Wersja : XI 2021

MEDGAL[®]
ORTHOPAEDIC IMPLANTS & INSTRUMENTS

MEDGAL Sp. z o.o.

ul. Niewodnicka 26A
16-001 Księżyno

SALES & MARKETING
info@medgal.com.pl
export@medgal.com.pl

OFFICE
tel.: +48 85 663 23 44
fax: +48 85 663 26 22

medgal.com.pl

